

Atlas Copco Surface Drill Rigs

AirROC T35 / D45 / D50 (CM 341)



Hole range : 64 - 102 mm - AirROC T35
105 - 127 mm - AirROC D45
105 - 140 mm - AirROC D50

Sustainable Productivity

Atlas Copco

Features and technical information

For further information, please contact your local Atlas Copco Customer Center.

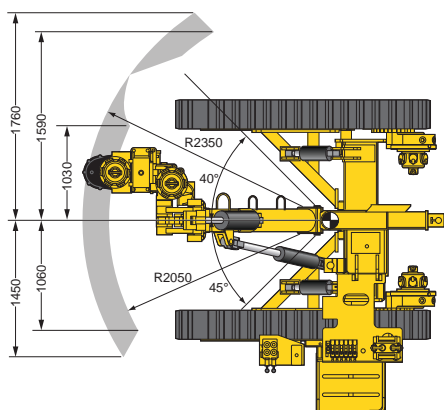
The AirROC T35/ D45/ D50* are high-powered, Down-the-Hole pneumatic drill rigs with exceptional mobility and performance. Robust traction, a low center of gravity and easy operator access to tramming and drill controls ensure reliable productivity in the toughest terrain. The AirROC T35/ D45/ D50* is ideally suited to development and production drilling in open pit mines and stone quarries

The AirROC T35/ D45/ D50's* twin tracks are powered by an 11.4hp air motor coupled to an enclosed gear drive with tramming and drilling controls easily accessed over the left hand track. A guide extension adjusts the guide foot ensuring optimal ground contact on slopes and rough terrain. A fine regulator helps the operator align the hole for optimal drilling operations. A piston type air feed motor drives the extra heavy roller chain providing 12kN(2698 lbf) of pull power.

- AirROC T35 is equipped with VL140 drifter for Top Hammer application (64mm-102mm)
- AirROC D45 / D50 is equipped with BRH / ARH rotary head for Down-the-Hole drilling (105 -140mm)

*Formerly known as CM341 range of products

Drill coverage area



Horizontal reach (mm)



Technical data

Carrier		
Tramming speed, max	3.0 km/h	1.86 mph
Track oscillation	±10°	

Steel feed		
AirROC T35, AirROC D45, AirROC D50		
Feed extension	1 219 mm	48"
Feed rate, max	0.25 m/s	49.2 ft/min
Feed force, max	21 kN	4 720 lbf
Tractive pull, max	14 kN	3 372 lbf
Total length	5 750 mm	226.3"
Travel length	4 250 mm	167.3"

Drill tube / Rod size		
Drill rig	Rod / Pipe size	
AirROC T35	38, 45 mm	1.5", 1.75"
AirROC D45	76 mm	3"
AirROC D50	76, 89, 102 mm	3", 3.5", 4"

Transport dimensions		
Transportation position		
Height	2 430 mm	8'
Length	5 750 mm	18'10.5"
Width	2 480 mm	8'2"

Weight		
AirROC T35 / D45 / D50	4 800 kg	10 582 lb